

TOTALINE THERMOSTATS

MODEL: T-TSC093A/F

DESCRIPTION: BOXED THERMOSTAT TYPE T-TSC093A/A, WORKING TEMPERATURE RANGE: -35°C / +35°C, COPPER CAPILLARY LENGHT 1500 mm AND KNOB WITH BLACK NUMBERS AND TOTALINE LOGO

BILB LENGHT: 215 mm

MINIMUM RADIUS OF CURVATURE OF CAPILLARY TUBE: 6 mm

MAX. /MIN. REGULATION TEMPERATURE: +35°C/-35°C

MAX. TEMPERATURA AT THERMOSTAT: 80°C

MAX. TEMPERATURA AT BULB: 65°C

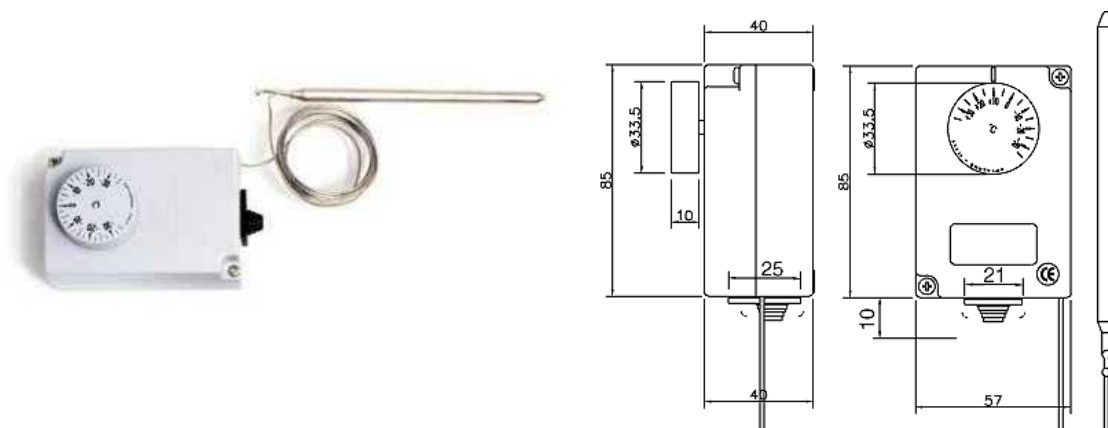
CAPILLARY LENGHT: 1500 mm

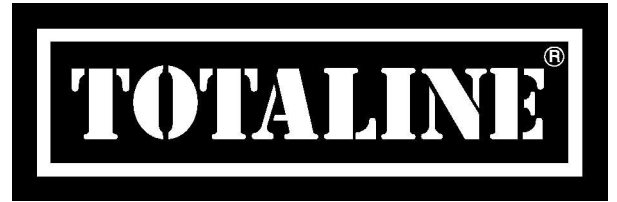
CONTACTS: MASSIVE SILVER

CAPACITY AT CONTACTS: 15A – 250V ; 10A – 380V

TEST CLASS: 100.000

BULB DIAMETERO 6 mm





TOTALINE THERMOSTATS

MODEL: T-TSC094A/A

DESCRIPTION: BOXED THERMOSTATS TYPE T-TSC093A/A, WORKING TEMPERATURE RANGE: -35°C / $+35^{\circ}\text{C}$ KNOB WITH BLACK NUMBERS AND TOTALINE LOGO

MINIMUM RADIUS OF CURVATURE OF CAPILLARY TUBE : $+35^{\circ}\text{C}/-35^{\circ}\text{C}$

MAX. TEMPERATURA AT THERMOSTAT: 80°C

MAX. TEMPERATURA AT BULB: 65°C

CONTACTS: MASSIVE SILVER

CAPACITY AT CONTACTS: 15A – 250V ; 10A – 380V

TEST CLASS: 100.000

